

SH-T Series Shunt Resistors

USE :

The interchangeable shunts are used to multiply the measuring range of current of measuring instruments.

APPLICATION :

For Telecommunications equipment, Electric cars, Aerospace, Charging station, Electroplating Power Equipment, Instrument and meter, Dc power system, etc.



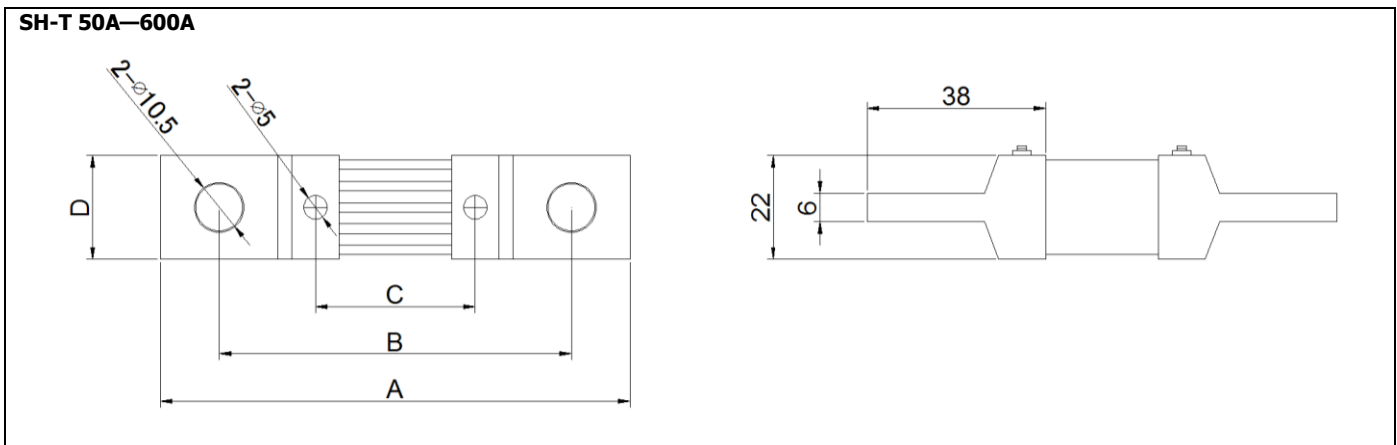
GENERAL SPECIFICATIONS

Model	Rated Current[A]	Rated Voltage[mV]	Resistance Range[mΩ]
SH-T 50A~12000A	1~50	10~800	10 ~ 16
	51~2500	10~300	0.2 ~ 0.12
	2501~12000	10~100	0.004 ~ 0.0083

CHARACTERISTICS

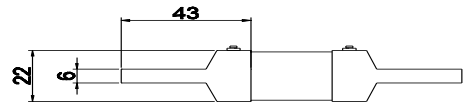
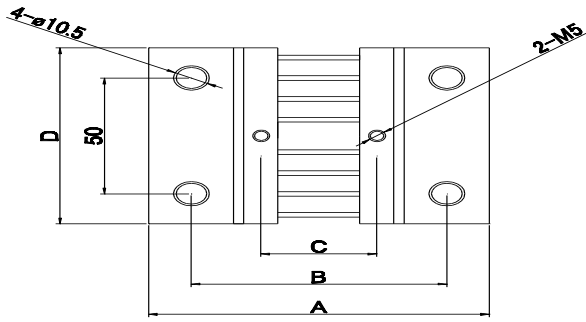
Ambient condition	-25℃~40℃
Relative humidity	≤80%(35℃)

DIMENSIONS



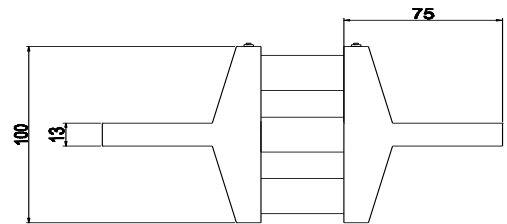
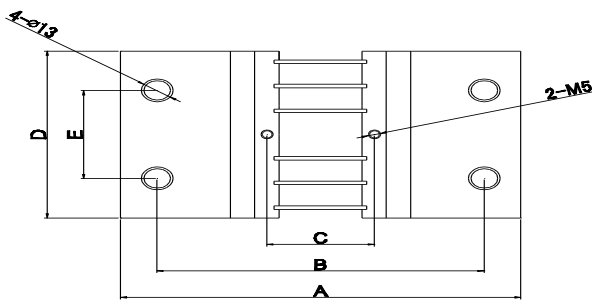
Model	Dimensions(mm)															
	25mV			50mV			60mV			75mV			100mV			Common
	A	B	C	A	B	C	A	B	C	A	B	C	A	B	C	D
50A	100	75	23	112	80	35	117	85	40	117	85	40	146	120	69	22
100A																
150A																
200A																
300A																26
400A																36
500A																46
600A																56

SH-T 750A—1200A



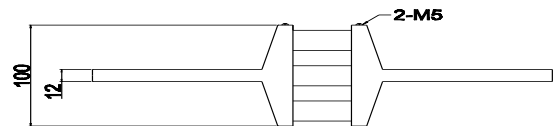
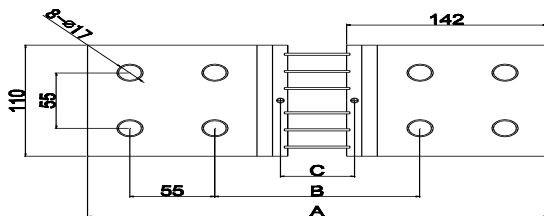
Model	Dimensions(mm)															
	25mV			50mV			60mV			75mV			100mV			Common
	A	B	C	A	B	C	A	B	C	A	B	C	A	B	C	D
750A	100	75	23	112	80	35	117	85	40	126	100	49	146	120	69	76
800A																
1000A																
1200A																96

SH-T 1500A—2500A



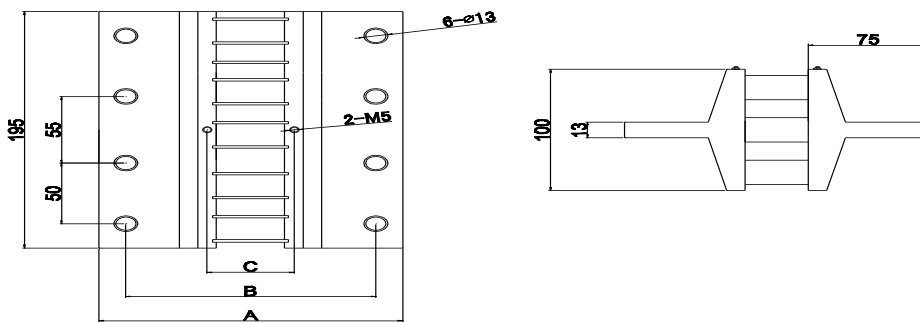
Model	Dimensions(mm)																
	25mV			50mV			60mV			75mV			100mV			Common	
	A	B	C	A	B	C	A	B	C	A	B	C	A	B	C	D	E
1500A	164	134	24	176	146	36	181	150	41	190	160	50	210	180	70	95	50
2000A																	
2500A																110	55

SH-T 2500A



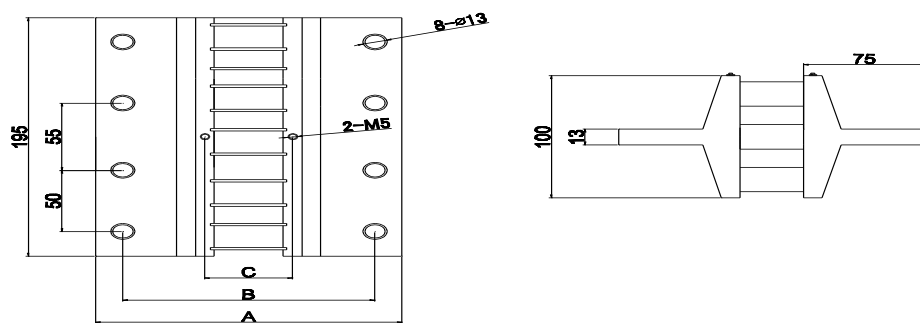
Model	Dimensions(mm)														
	25mV			50mV			60mV			75mV			100mV		
	A	B	C	A	B	C	A	B	C	A	B	C	A	B	C
2500A	298	133	24	311	146	37	317	152	43	325	160	51	338	173	64

SH-T 3000A



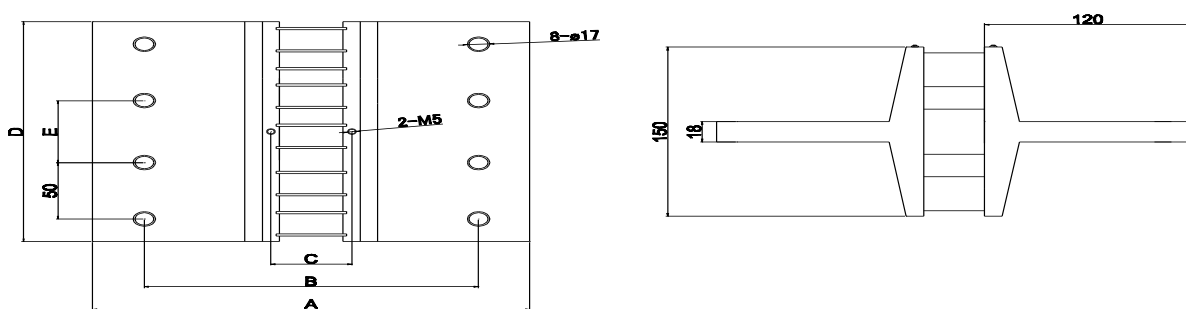
Model	Dimensions(mm)														
	25mV			50mV			60mV			75mV			100mV		
	A	B	C	A	B	C	A	B	C	A	B	C	A	B	C
3000A	164	134	24	176	146	36	181	150	41	190	160	50	210	180	70

SH-T 4000A



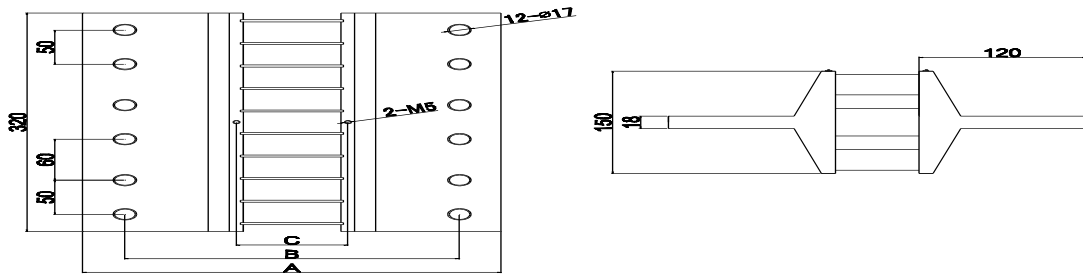
Model	Dimensions(mm)														
	25mV			50mV			60mV			75mV			100mV		
	A	B	C	A	B	C	A	B	C	A	B	C	A	B	C
4000A	164	134	24	176	146	36	181	150	41	190	160	50	210	180	70

SH-T 5000—6000A



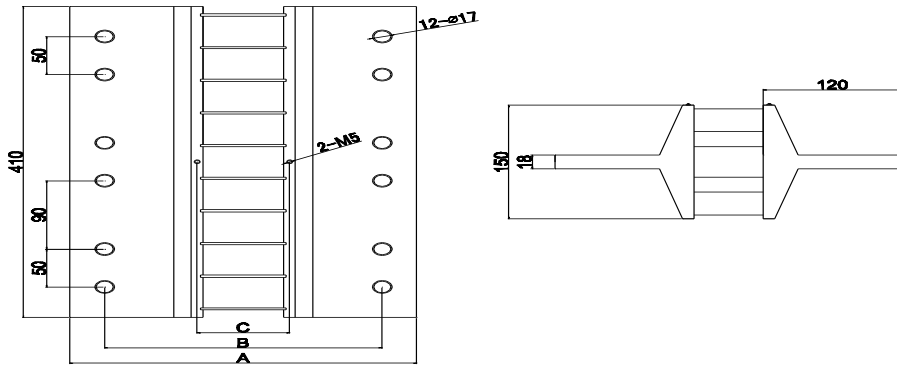
Model	Dimensions(mm)																
	25mV			50mV			60mV			75mV			100mV			Common	
	A	B	C	A	B	C	A	B	C	A	B	C	A	B	C	D	E
5000A	254	194	24	266	206	36	271	211	41	280	220	50	300	240	70	195	55
6000A																240	80

SH-T 7500—8000A



Model	Dimensions(mm)														
	25mV			50mV			60mV			75mV			100mV		
	A	B	C	A	B	C	A	B	C	A	B	C	A	B	C
7500A-8000A	254	194	24	266	206	36	271	211	41	280	220	50	300	240	70

SH-T 10000—12000A



Model	Dimensions(mm)														
	25mV			50mV			60mV			75mV			100mV		
	A	B	C	A	B	C	A	B	C	A	B	C	A	B	C
10000A-12000A	254	194	24	266	206	36	271	211	41	280	220	50	300	240	70

ORDERING PROCEDURE EXAMPLE

