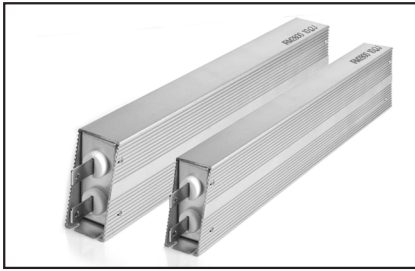


Metal Clad Wire Wound Resistors



The IRM(M=Metal Cover type) models are metal-clad wire-wound high-power resistors designed for industrial and other applications. Our extruded aluminum housing provides rugged and strong protection. These models are available with tab terminals.

The most common applications for these models are: Motor drives, braking and snubber applications and power sources for industrial equipment.

GENERAL SPECIFICATIONS

Model	Rated Power	Resistance Range[Ω]		Resistance Tolerance [%]
	In Free Air	Inductive	Non-Inductive	
IRM / ULM 1600	570W	1.5 ~ 88	0.3 ~ 23	F [±1] J [±5] K [±10]
IRM / ULM 2000	650W	2.0 ~ 113	0.45 ~ 30.5	
IRM / ULM 2400	720W	2.5 ~ 144	0.6 ~ 37	
IRM / ULM 2800	750W	3.0 ~ 135	0.7 ~ 33.5	

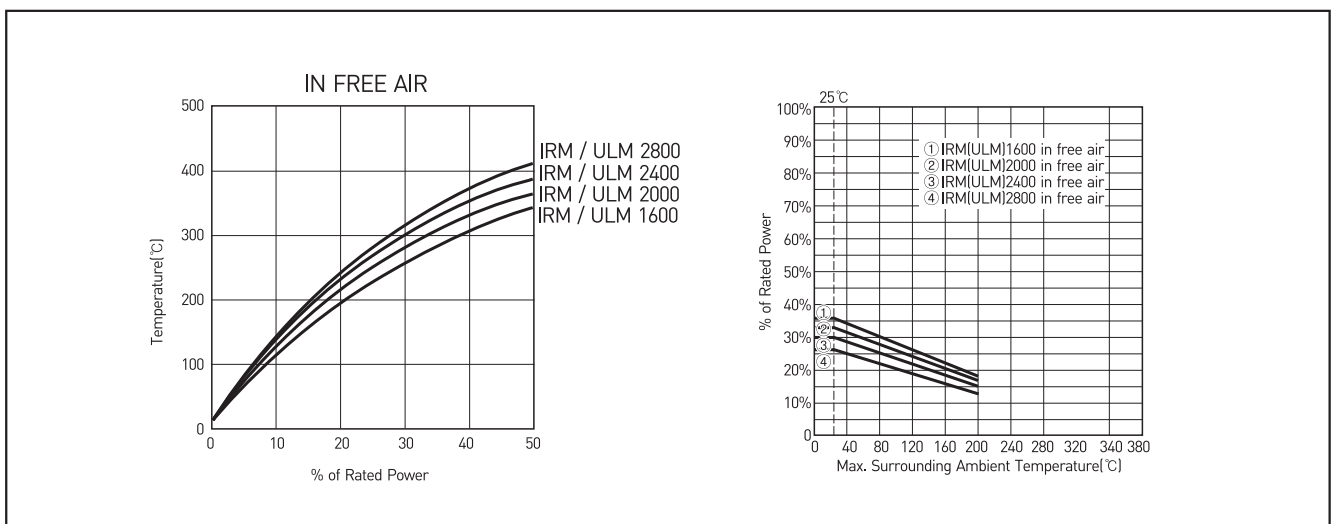
Extended ohmic ranges are available. Please ask RARA for more info. on this.

CHARACTERISTICS

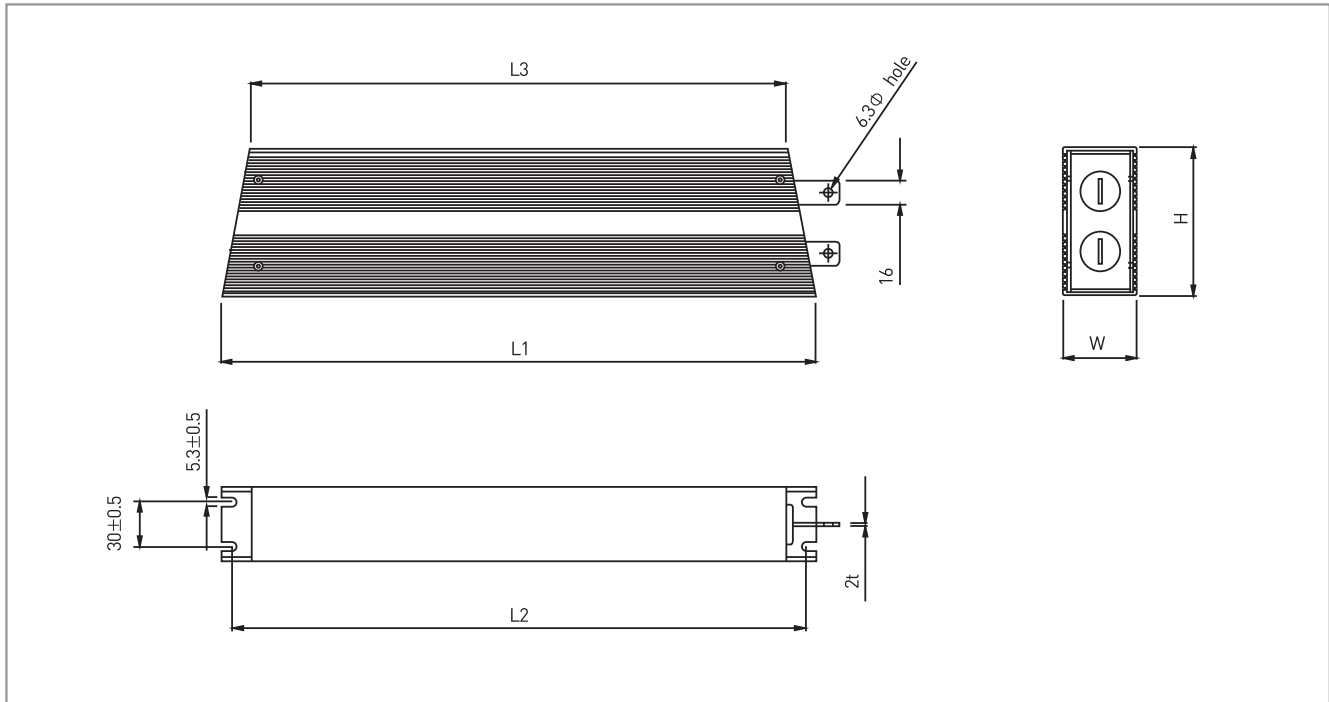
Values in [] mean change in Ω after test

Temperature Range		-55°C~+200°C
Insulation Resistance		20MΩ minimum
Dielectric Withstanding Voltage	IRM /	Available options : AC1500V, 2500V, 3500V, 4500V for 1minute; Max. leakage current: 2mA 500V for 1minute not more than 50V [1000V + [Voltage ratingx2] for 1minute : 50V ~ 600V
	ULM	
Temperature Coefficient		±260ppm/°C maximum
Short Time Overload	±[3%+0.05Ω]	10 X Power rating 5 seconds
Moisture Resistance	±[3%+0.05Ω]	40°C, 95% RH, DC100V case to terminal, 500hours
Thermal Shock	±[2%+0.05Ω]	Power rating 30minutes, -25°C, 15minutes
Vibration	±[2%+0.05Ω]	10Hz-55Hz-10Hz (1minute), 2 hours each direction
Moisture Load Life	±[3%+0.05Ω]	40°C, 95%RH, 0.1 x Power rating, 1.5 hours on, 30 minutes off, 500 hours
Load Life	±[5%+0.05Ω]	Power rating 1.5 hours on, 30 minutes off, 500hours

SURFACE TEMPERATURE INCREASE VERSUS POWER LOAD AND DERATING CURVES



DIMENSIONS [mm]



Model	Dimensions(mm)					Weight(kg)
	L1±2	L2±2	L3±2	H±1	W±0.5	
IRM / ULM 1600	330	315	290	100	50	2.5
IRM / ULM 2000	400	385	360	100	50	3.1
IRM / ULM 2400	480	465	440	100	50	3.7
IRM / ULM 2800	550	535	510	100	50	4.3

FLYING LEADS

Model	3.5mm ^f	2mm ^f	UI3512 AWG 10	UI3512 AWG 14
IRM / ULM 1600	0.3Ω~0.99Ω	1Ω~	0.3Ω~0.99Ω	1Ω~
IRM / ULM 2000	0.45Ω~0.99Ω	1Ω~	0.45Ω~0.99Ω	1Ω~
IRM / ULM 2400	0.6Ω~0.99Ω	1Ω~	0.6Ω~0.99Ω	1Ω~
IRM / ULM 2800	0.7Ω~0.99Ω	1Ω~	0.7Ω~0.99Ω	1Ω~

ORDERING PROCEDURE EXAMPLE

