



Metal Clad Wire Wound Resistors [Preliminary]

- high power aluminium encased resistors.
- The most common applications
 - Motor drives
 - Charging for electric vehicles
 - Power sources for industrial equipment.



GENERAL SPECIFICATION

Model	Rated Power (On Heatsink)	Resistance Range[Ω]	Resistance Tolerance[%]
IRHC 40	40	10~1K	J [±5%] K [±10%]
IRHC 60	60		
IRHC 100	100		

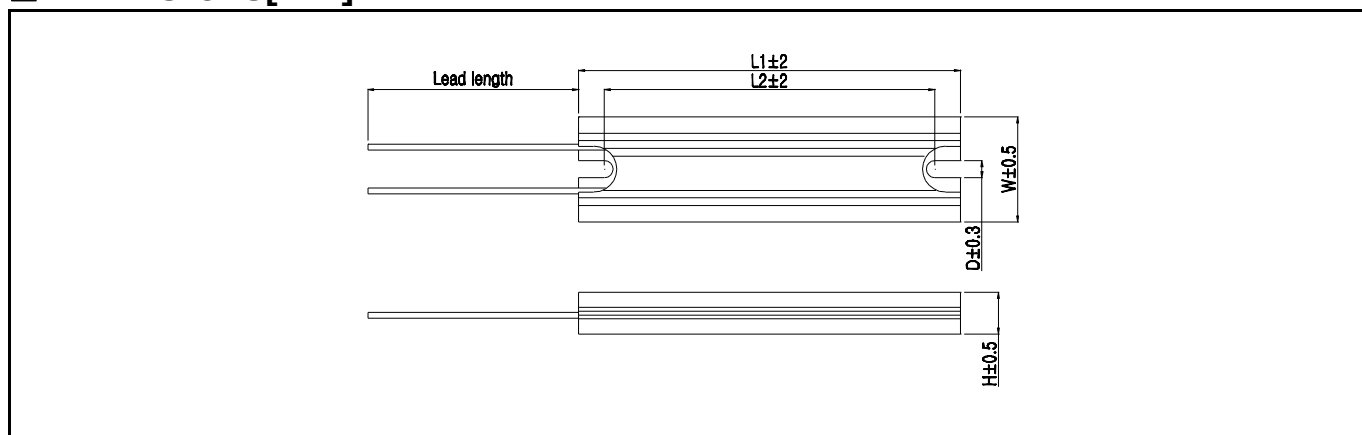
* Heat sink size : Al 200x200x3 mm

CHARACTERISTICS

Values in [] mean changed in Ω after test

Insulation Resistance	Min. 20MΩ at DC500V	
Dielectric Withstanding Voltage	AC 1000V for 1minute; Max. leakage current : 2mA	
Short Time Overload	±[2.0%±0.1Ω]	10 X Power rating 5seconds
Load Life	±[2.0%±0.1Ω]	Power rating 1.5 Hours on, 30 minutes off, 500 Hours
Moisture resistance	±[3.0%±0.1Ω]	40±2°C, 90~95% RH, 240 Hours

DIMENSIONS[mm]



Model	L1±2	L2±2	W±0.5	H±0.5	D±0.3
IRHC 40	70	56.5	27.5	11	4.5
IRHC 60	85	71.5			
IRHC 100	100	86.5			

ORDERING PROCEDURE EXAMPLE

