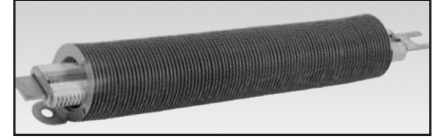


# Dynamic Braking Resistors

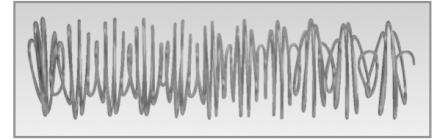
## SPECIFICATIONS

Model	Power Rating With Fan	Power Rating In Free Air	Resistance Range[Ω]	Tolerance[%]
DBRI-EW 16K	9.6 kW	8 kW	2 ~ 40	J [±5] K [±10]
DBRI-EW 30K	18 kW	15 kW	2 ~ 12	
DBRI-EW 40K	24 kW	20 kW	2 ~ 20	
DBRI-EW 50K	30 kW	25 kW	3 ~ 20	
DBRI-EW 70K	40 kW	35 kW	3 ~ 40	
DBRI-EW 100K	60 kW	50 kW	5 ~ 40	
DBRI-HW 16K	9.6 kW	8 kW	3 ~ 65	
DBRI-HW 30K	18 kW	15 kW	3 ~ 30	
DBRI-HW 40K	24 kW	20 kW	3 ~ 50	
DBRI-HW 50K	30 kW	25 kW	5 ~ 50	
DBRI-HW 70K	40 kW	35 kW	10 ~ 70	
DBRI-HW 100K	60 kW	50 kW	10 ~ 150	
DBRI-VW 16K	9.6 kW	8 kW	1 ~ 9.5	
DBRI-VW 30K	18 kW	15 kW	1.2 ~ 10	
DBRI-VW 40K	24 kW	20 kW	1.2 ~ 18	
DBRI-VW 50K	30 kW	25 kW	1.5 ~ 20	
DBRI-VW 70K	40 kW	35 kW	1.5 ~ 35	
DBRI-VW 100K	60 kW	50 kW	1.5 ~ 40	

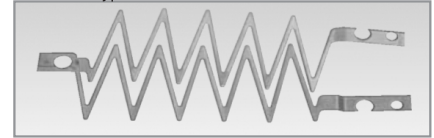
Edge Wound Type



Heli-Wire Wound Type



V-W Grid Type

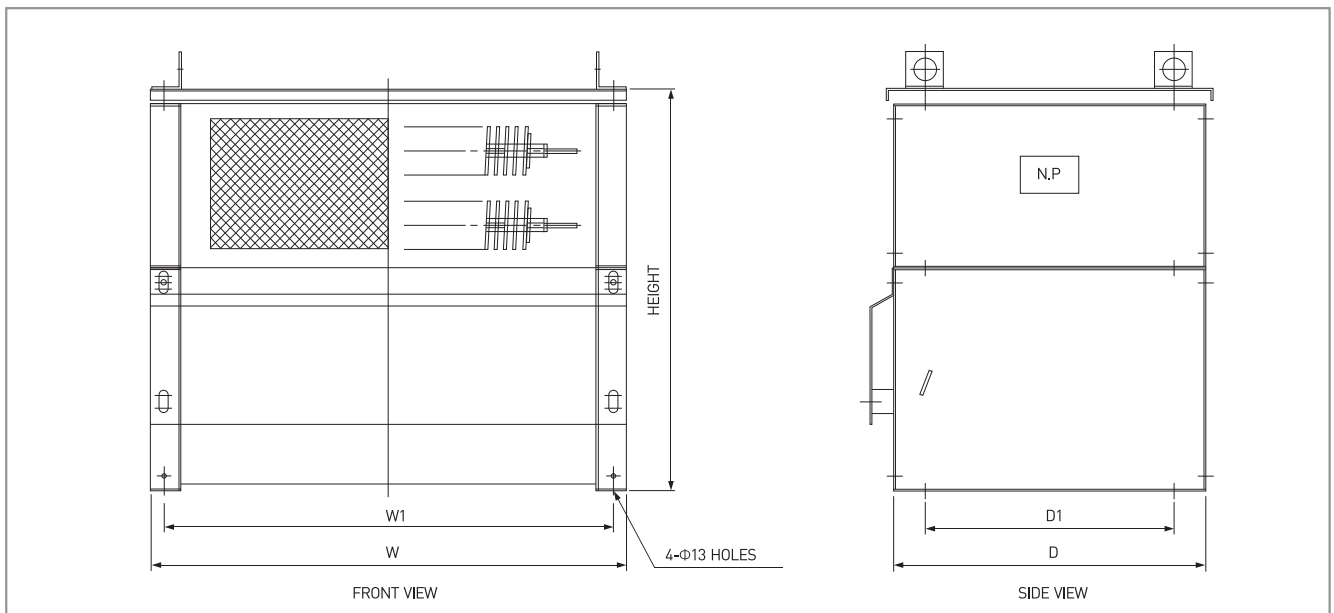


- \* DBRI-EW: Edge wound type (Inductive)
- \* DBRI-HW: Heli-wire wound type (Inductive)
- \* DBRI-VW: V-W grid type (Non-Inductive)
- \* The DBRI is for indoor use; DBRO is for outdoor use.  
The DBRO internal structure is the same as the DBRI  
The DBRO has a watertight external structure
- \* The power rating is based on a 375°C rise above an ambient of 40°C

- \* Fan equipped models have different dimensions  
(Check with RARA for details)
- \* Power increases of up to 100% are possible with some fan equipped models with corresponding increases in dimensions  
(Check with RARA for details)

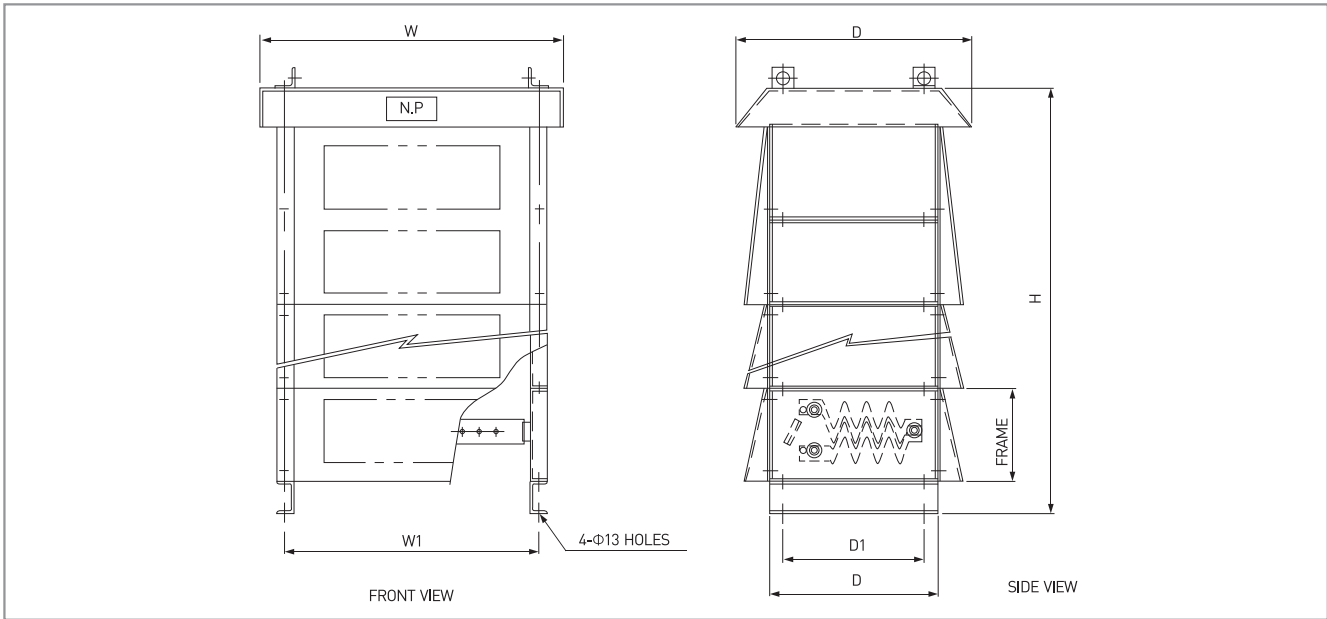
## DIMENSIONS [mm] FOR INDOOR TYPES

Model	Approx. Weight[kg]	Dimensions [mm]				
		W	W1	D	D1	H
DBRI-EW, HW, VW 16K	26	640	605	420	335	320
DBRI-EW, HW, VW 30K	55	640	605	420	335	540
DBRI-EW, HW, VW 40K	64	640	605	420	335	540
DBRI-EW, HW, VW 50K	80	640	605	420	335	760
DBRI-EW, HW, VW 70K	120	640	605	420	335	1200
DBRI-EW, HW, VW 100K	235	640	605	840	755	980 / 1200



**DIMENSIONS [mm] FOR OUTDOOR TYPES**

Model	Approx. Weight(kg)	Dimensions [mm]				
		W	W1	D	D1	H
DBRO-EW, HW, VW 16K	32	720	605	560	335	390
DBRO-EW, HW, VW 30K	60	720	605	560	335	590
DBRO-EW, HW, VW 40K	72	720	605	560	335	590
DBRO-EW, HW, VW 50K	87	720	605	560	335	790
DBRO-EW, HW, VW 70K	130	720	605	560	335	1190
DBRO-EW, HW, VW 100K	250	720	605	980	755	1190



**CHARACTERISTICS**

Insulating Resistance	100MΩ minimum
Dielectric Withstanding Voltage	AC 2000V/minimum
Allowable Temperature Rise	375°C

**ORDERING PROCEDURE EXAMPLE**

