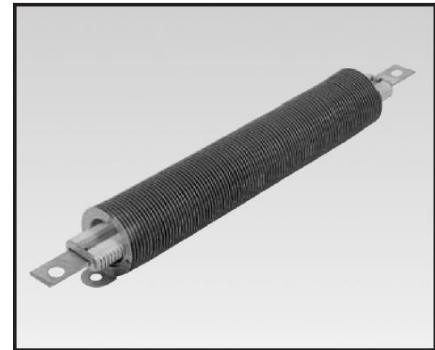


EWS

Edge Wound Resistors

■ GENERAL SPECIFICATIONS

Model	Power Rating [W]		Resistance Range [Ω]	Resistance Tolerance
	With Fan	In Free Air		
EWS 1200	600	400	0.020~0.250	J [$\pm 5\%$] K [$\pm 10\%$]
EWS 1700	1000	600	0.029~0.280	
EWS 2300	1300	800	0.039~0.500	
EWS 2800	1600	1000	0.051~0.630	
EWS 3400	2000	1200	0.061~0.750	
EWS 3900	2300	1400	0.071~0.880	
EWS 4400	2600	1600	0.081~1.000	



■ CHARACTERISTICS

Temperature Range	-55°C ~ +375°C
Insulation Resistance	100M Ω minimum
Dielectric withstanding voltage	AC 2000V for 1minute

■ % INCREASE IN RATED CURRENT

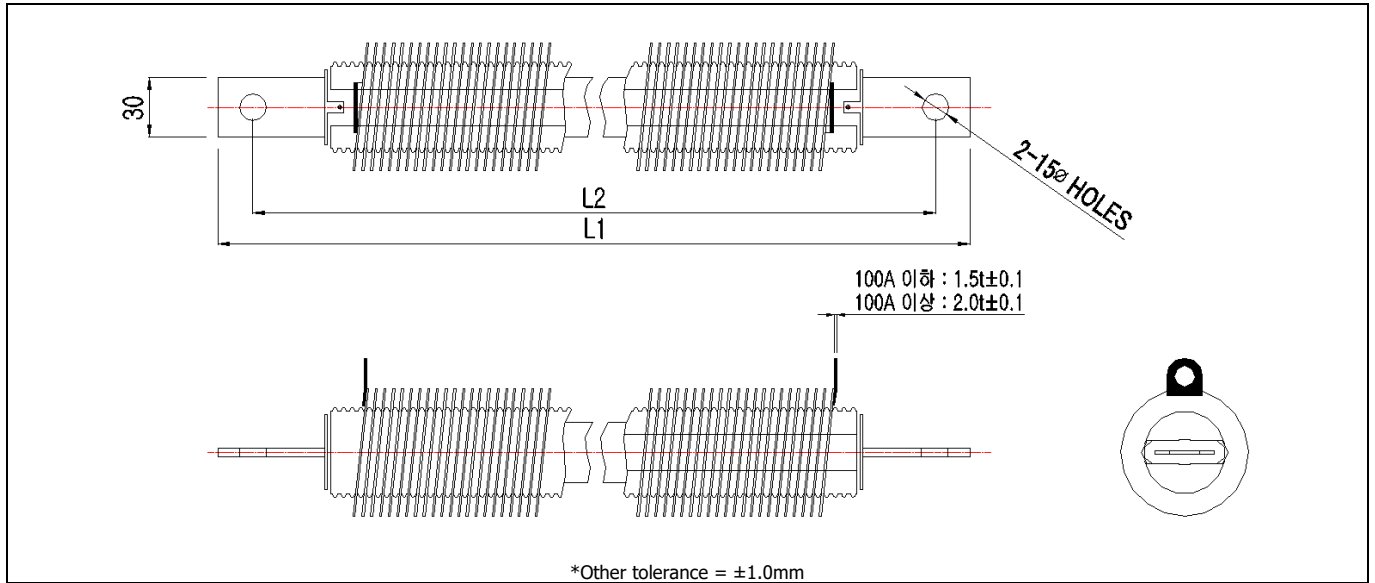
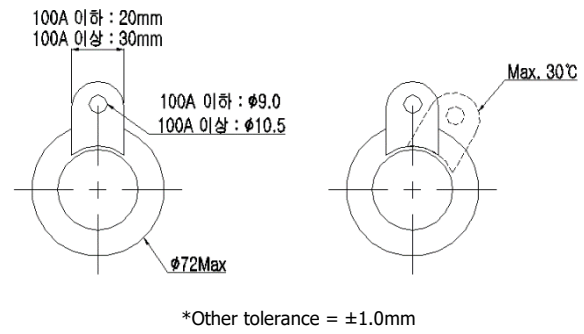
% ED	5 %	10 %	15 %	40 %	60 %
Increased Rated Current	2.5 X Current Rating	1.8 X Current Rating	1.6 X Current Rating	1.25 X Current Rating	1.15 X Current Rating

■ RATED CURRENTS BY MODELS AND OHMIC VALUES

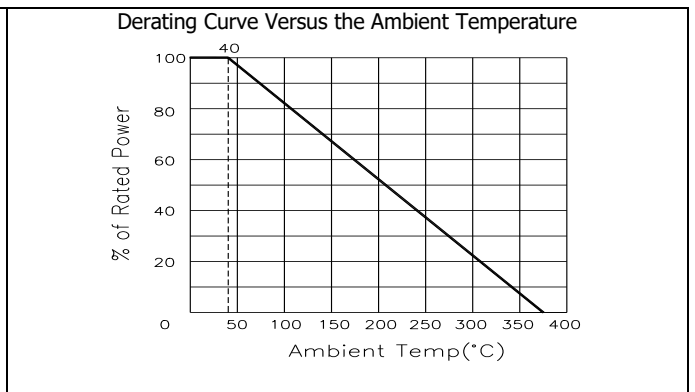
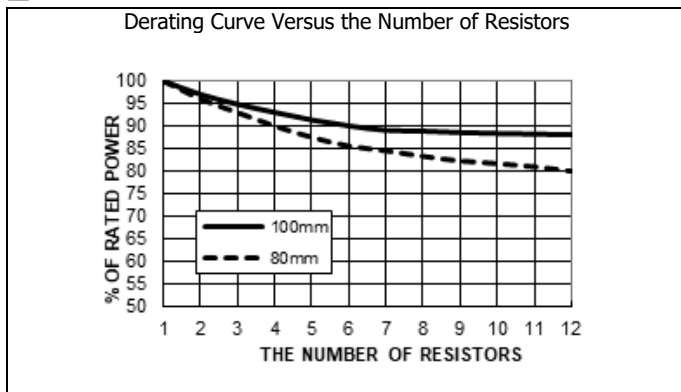
Resistance [Ω]							Rated Current	D#
EWS 1200	EWS 1700	EWS 2300	EWS 2800	EWS 3400	EWS 3900	EWS 4400		
0.020	0.029	0.039	0.051	0.061	0.071	0.081	140	69
0.023	0.035	0.047	0.059	0.071	0.082	0.094	130	65
0.027	0.041	0.055	0.069	0.083	0.097	0.111	120	65
0.033	0.049	0.066	0.082	0.099	0.115	0.132	110	72
0.04	0.060	0.080	0.100	0.120	0.140	0.160	100	72
0.044	0.066	0.088	0.110	0.132	0.155	0.177	95	72
0.049	0.074	0.098	0.123	0.148	0.172	0.197	90	72
0.055	0.083	0.110	0.138	0.166	0.193	0.221	85	71
0.062	0.093	0.125	0.156	0.187	0.218	0.250	80	67
0.071	0.106	0.142	0.177	0.213	0.248	0.284	75	65
0.081	0.122	0.163	0.204	0.244	0.285	0.326	70	69
0.094	0.142	0.189	0.236	0.284	0.331	0.378	65	65
0.111	0.166	0.222	0.277	0.333	0.388	0.444	60	67
0.132	0.198	0.264	0.330	0.396	0.462	0.528	55	71
0.160	0.240	0.320	0.400	0.480	0.560	0.640	50	71
0.197	0.296	0.395	0.493	0.592	0.691	0.790	45	67
0.250		0.500	0.625	0.750	0.875	1.000	40	67

■ DIMENSIONS [mm]

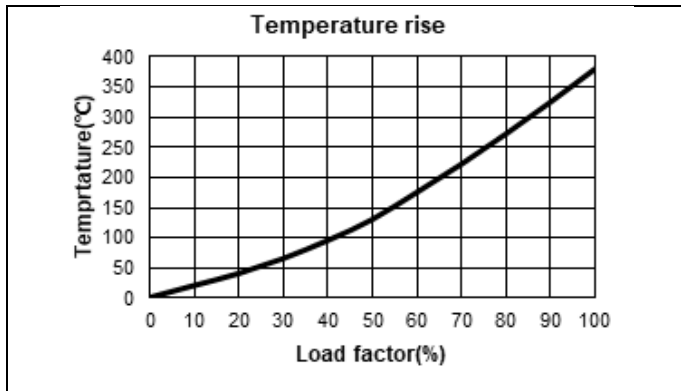
Model	Dimensions [mm]	
	L1±3	L2±3
EWS 1200	240	205
EWS 1700	310	275
EWS 2300	380	345
EWS 2800	450	415
EWS 3400	520	485
EWS 3900	590	555
EWS 4400	660	625



■ DERATING CURVES



■ SURFACE TEMPERATURE VERSUS POWER LOAD ■ ORDERING PROCEDURE EXAMPLE



EWS1200	140A	0.02Ω	J
↓	↓	↓	↓
Model #	Rated Amps	Resistance	Tolerance

When designing your specifications, or if you have any questions, contact the RARA design team for more information.