

Load Banks

RARA manufactures load banks, ranging from small portable units for testing generators to multi-megawatt designs for larger applications. Regular load testing, along with correct battery maintenance, is the best way of ensuring the reliability of standby power systems. It is routine for all newly-installed generating sets to have a load test during the commissioning process in order to prove the performance of the set and all its ancillaries-cooling system, exhaust system, switchgear and protection schemes.

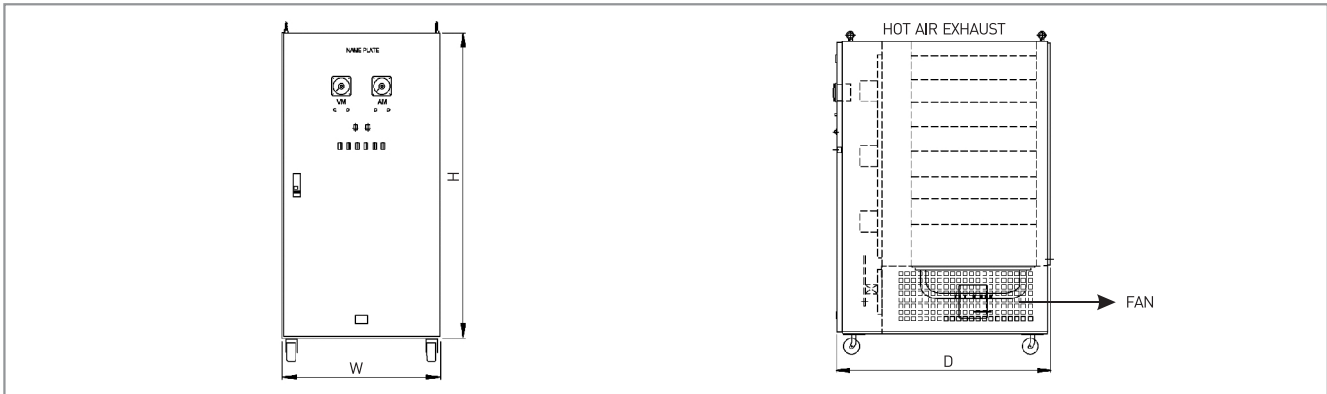
- Custom designed for your particular system
- Several stages of assembly depending on shipping needs
- Many sizes and applications available



GENERAL SPECIFICATIONS

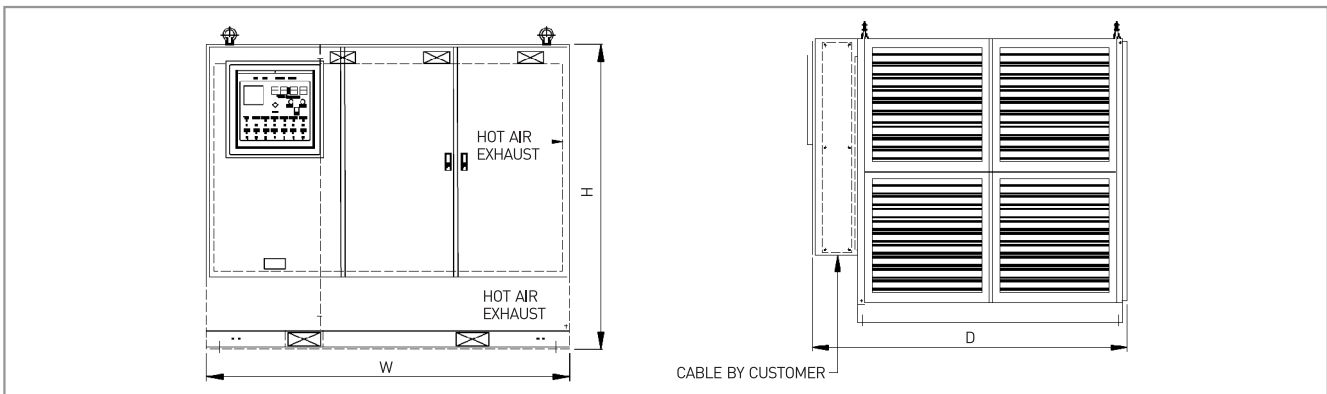
Model	Rated Power	Load Steps		Approx. Weight	Cooling Fan Source	
		Minimum	Maximum			
RLB-50V RLB-50H	50kW	1kW	20kW	160	1 Phase 220V 60Hz	
RLB-100V RLB-100H	100kW	1kW	50kW	220		
RLB-200V RLB-200H	200kW	5kW	100kW	350		
RLB-300V RLB-300H	300kW	5kW	100kW	480	50Hz Optional	
RLB-400V RLB-400H	400kW	5kW	200kW	530	3 Phase 380V 60Hz	
RLB-500V RLB-500H	500kW	5kW	200kW	750		
RLB-600V RLB-600H	600kW	5kW	300kW	960		
RLB-800V RLB-800H	800kW	5kW	300kW	1350		
RLB-1000V RLB-1000H	1000kW	5kW	500kW	1740		
RLB-1500V RLB-1500H	1500kW	5kW	500kW	2320		50Hz Optional
RLB-2000V RLB-2000H	2000kW	5kW	1000kW	2850		
RLB-2500V RLB-2500H	2500kW	5kW	1000kW	3580		
RLB-3000V RLB-3000H	3000kW	5kW	1000kW	3970		

DIMENSIONS [mm] FOR INDOOR TYPES



Model	Dimensions [mm]		
	W	D	H
RLB-50V	600	800	1000
RLB-100V	800	1050	1200
RLB-200V	800	1050	1200
RLB-300V	1000	1250	1650
RLB-400V	1000	1250	1650
RLB-500V	1650	1300	1800
RLB-600V	1650	1300	1800
RLB-800V	2200	1600	2350
RLB-1000V	2200	1600	2350
RLB-1500V	2200	1600	2350
RLB-2000V	2200	1600	2350
RLB-2500V		20" Container	
RLB-3000V		20" Container	

DIMENSIONS [mm] FOR OUTDOOR TYPES



Model	Dimensions [mm]		
	W	D	H
RLB-50H	1000	600	700
RLB-100H	1200	1000	800
RLB-200H	1600	1000	950
RLB-300H	1850	1200	1200
RLB-400H	1850	1200	1200
RLB-500H	1900	1300	1700
RLB-600H	1900	1300	1700
RLB-800H	2000	1500	2000
RLB-1000H	2600	1500	2150
RLB-1500H	2800	1500	2150
RLB-2000H	3000	2200	2350
RLB-2500H		20" Container	
RLB-3000H		20" Container	

LOAD BANK DERATING

480V	440V		380V		220V	
1100kW	924kW	1212A	689kW	1047A	231kW	606A
1000kW	840kW	1102A	627kW	953A	210kW	551A
800kW	672kW	882A	501kW	761A	168kW	441A
600kW	504kW	661A	376kW	571A	126kW	331A
500kW	420kW	551A	313kW	476A	105kW	276A
200kW	168kW	220A	125kW	190A	42kW	110A
100kW	84kW	110A	63kW	96A	21kW	55A
50kW	42kW	55A	31kW	47A	10.5kW	27.5A
30kW	25.2kW	33A	19kW	29A	6.3kW	16.5A
10kW	8.4kW	11A	6kW	9.1A	2.1kW	5.5A
5kW	4.2kW	5.5A	3kW	4.5A	1.05kW	2.75A
2KkW	1.68kW	2.2A	1.25kW	1.9A	0.42kW	1.1A

ADDITIONAL INFORMATION

1. The V type is an indoor model.
2. The H type is both indoor and outdoor.
3. Options: Main switch, Digital meter, Air circuit breaker, Connection cable.
4. Applied voltage: 3 phase, 480V, 60Hz.(220V, 380V, 440V, 600V, 3.3KV, 6.6KV are also available)
5. Environmental Conditions: Ambient temperature lower than 40C; Altitude less than 1000m.
6. Basic accessories are as follows:

- Step load on-off switch
- Magnetic contactor
- Control MCCB(1 phase, 220V, 60Hz)
- Alarm signal - pilot lamp
- Emergency stop button
- Reset button
- Fan failure protection
- Over temperature protection
- Cooling fan

ORDERING INFORMATION AND NOTES

