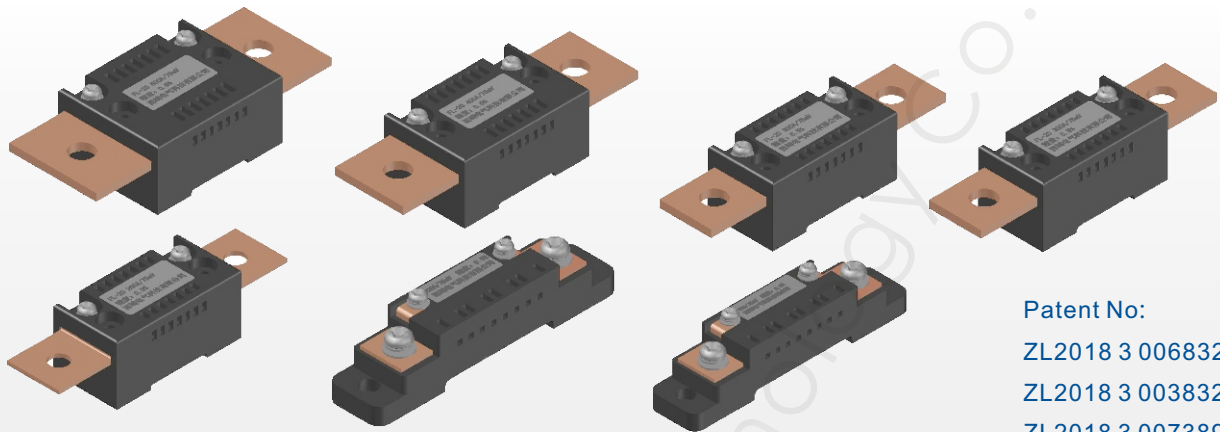


●FL-2C Shunt(Patented Type)

■ FL-2C Shunt(Patented Type)



Patent No:

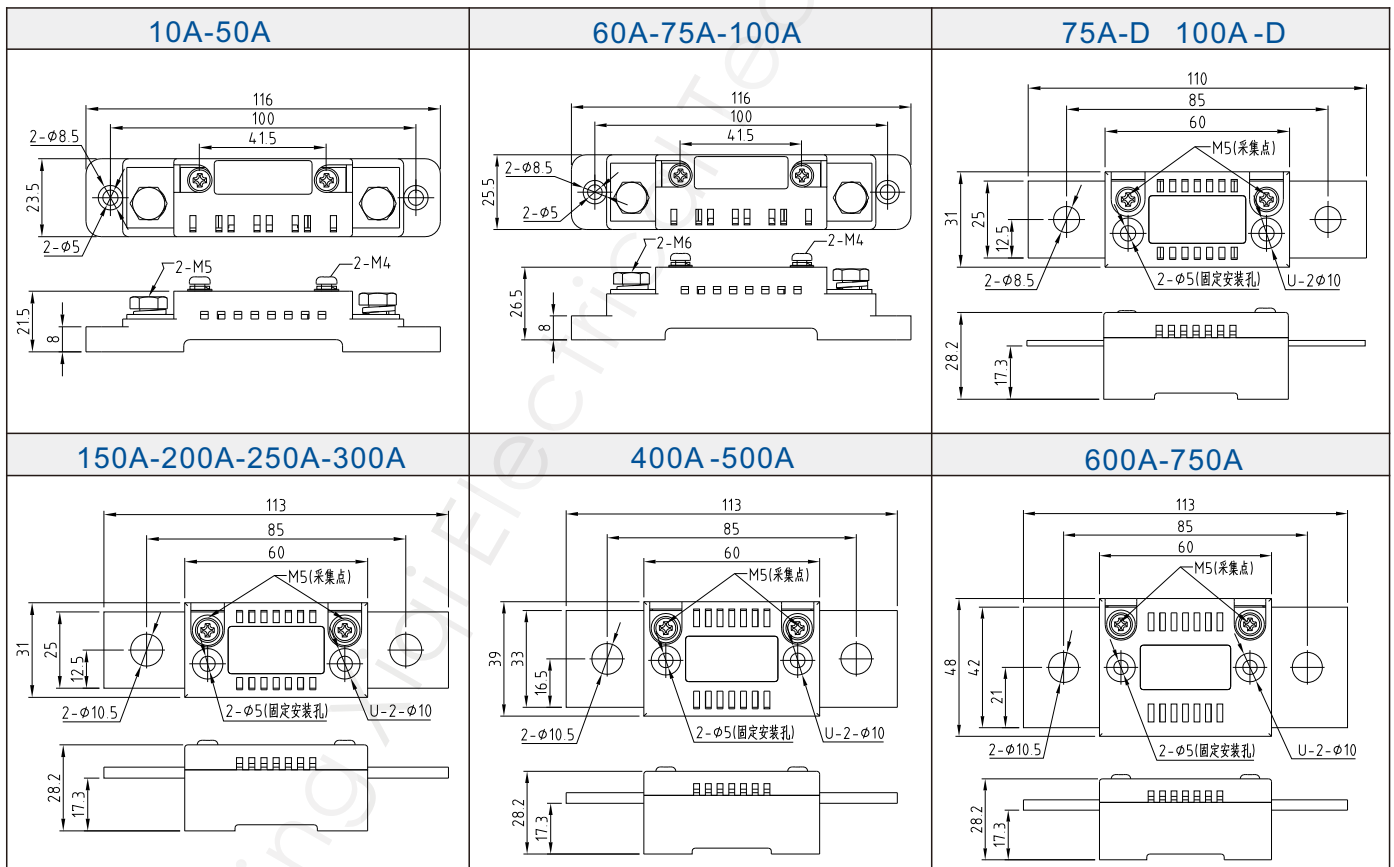
ZL2018 3 0068329.0

ZL2018 3 0038328.6

ZL2018 3 0073892.7

ZL2018 2 0270257.2

■ Dimension Diagram(75mV)



■ Appearance and structure

| | |
|-----------|---|
| Structure | Connection block: copper Resistor: 6J13 manganese copper alloy |
| Surface | Pickling passivation and sandblasting |
| Case | High temperature flame retardant insulation material |

■ Basic parameters

| | |
|----------------|---------------------------|
| Rated current | 10A ~ 750A |
| Rated voltage | 75mV.... |
| Accuracy class | ±0.5% (±0.25% customized) |

■ Performance Characteristics

| | |
|--------------------------|--------------------------------------|
| Pilot projects | Performance requirements |
| Accuracy class | ±0.5% |
| Operating Temp | -40°C ~ +60°C |
| Operating RH | ≤95% (35°C) |
| Voltage | 75mV |
| Temp Rise | Not more than 120 |
| Temp Coef | 0 ~ +40PPM/°C |
| Thermoelectric Potential | Not more than 50% of the level index |