

# Mini Braking High Power Resistors [Preliminary]

The MBH/V models are metal-clad, compact high-power resistors designed for industrial and other applications. Our extruded aluminum housing provides rugged and strong protection. These models are specially constructed for overload pulses. They have a thermostat and terminal box as optional. The most common applications for these models are: motor drives, braking and snubber applications and power sources for industrial equipment.



## GENERAL SPECIFICATIONS

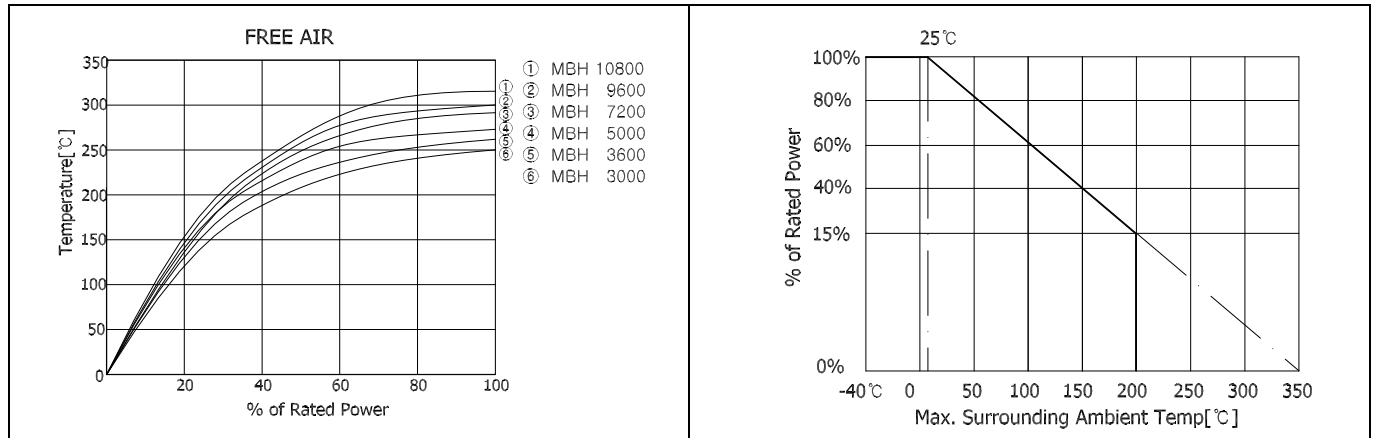
Model	Rated Power @25C [W]	Pulse Power [Kw]				Resistance range[Ω]	Tolerance[%]
		*ED5%	*ED10%	*ED20%	*ED40%		
MBH/V 3000	1100	17.5	8.5	4.5	2.0	0.4 ~ 150	J[±5%] K[±10%]
MBH/V 3600	1300	20	10	5.5	2.5	0.5 ~ 170	
MBH/V 5000	1500	24	12	6.0	3.0	0.6 ~ 180	
MBH/V 7200	2000	32	16	8.0	4.0	0.7 ~ 200	
MBH/V 9600	2500	40	20	10	5.0	0.8 ~ 220	
MBH/V 10800	2900	46	23	11.5	6.0	1.0 ~ 240	

\* Referred to a cycle duration of 120s

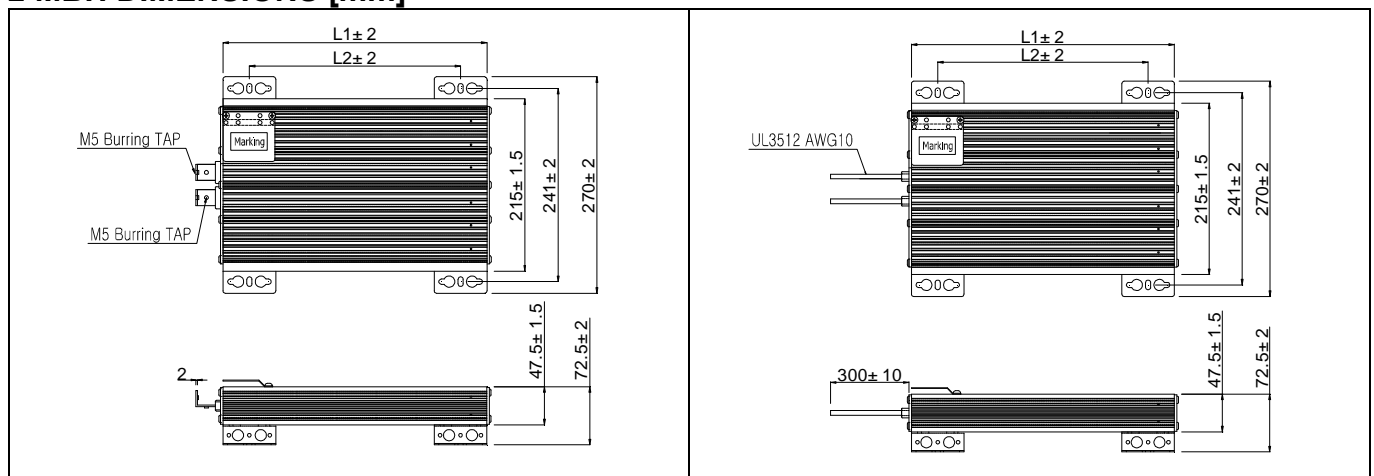
## CHARACTERISTICS

Insulation Resistance		20MΩ minimum
Dielectric Strength		Available options : AC1500V,2500V,3500V for 1minute,Max leakage current: 2mA
Temperature Coefficient		±260ppm/C
Short Time Overload	±[5%+0.05 Ω]	5 - 10 X Power rating - in 5~10seconds
Moisture Resistance	±[3%+0.05 Ω]	40C, 95% RH, DC100V case to terminal (500hrs.)
Thermal Shock	±[3%+0.05 Ω]	Power rating 30min., -40C, 15minutes
Moisture Load Life	±[3%+0.05 Ω]	40C,95%RH,0.1Xpower rating, 1.5h.on,30min.off,500 hours
Load Life	±[5%+0.05 Ω]	Power rating 1.5h. on, 30min. off, 500hours

## SURFACE TEMPERATURE INCREASE VERSUS POWER LOAD & DERATING CURVE

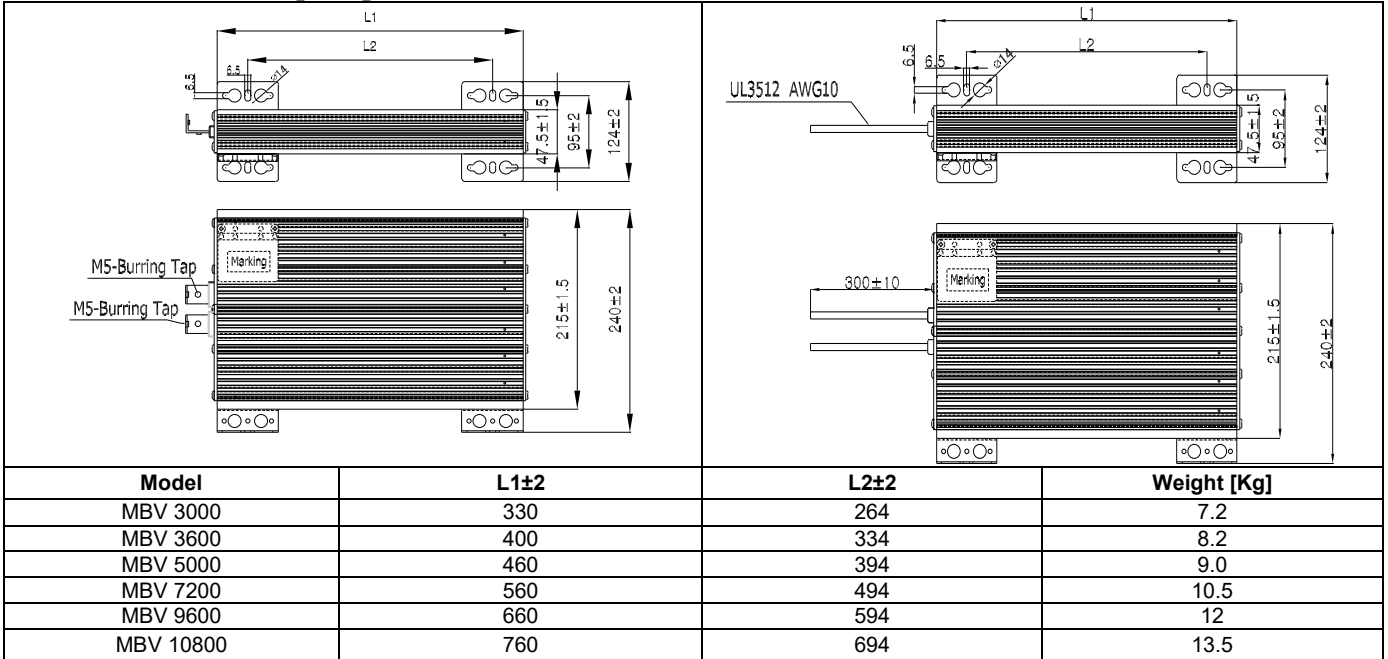


## MBH DIMENSIONS [mm]

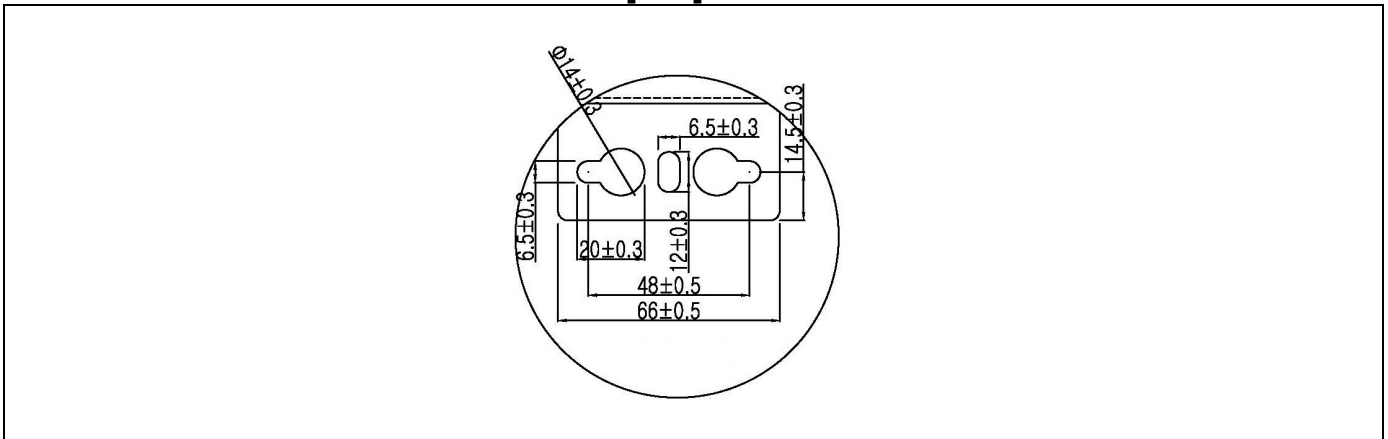


Model	L1±2	L2±2	Weight [Kg]
MBH 3000	330	264	7.2
MBH 3600	400	334	8.2
MBH 5000	460	394	9.0
MBH 7200	560	494	10.5
MBH 9600	660	594	12
MBH 10800	760	694	13.5

■ MBV DIMENSIONS [mm]



■ SCREW-MOUNTING HOLE DIMENSIONS [mm]



■ ORDERING PROCEDURE

