

THICK-FILM PLANAR, ULTRA HIGH POWER RESISTOR

HPR2000 offers 2000 watts of power dissipation when properly heatsinked. The design of the HPR2000 creates a constant pressure to the cooling plate of approximately 300 N for proper thermal flow. The HPR2000 is ideal for variable speed drives, power supplies, control devices, robotics, motor control and other power designs.

Features : Non-inductive planar package, High power density, Thin package for PCB installation, Power dissipated above the board, RoHS, REACH compliant

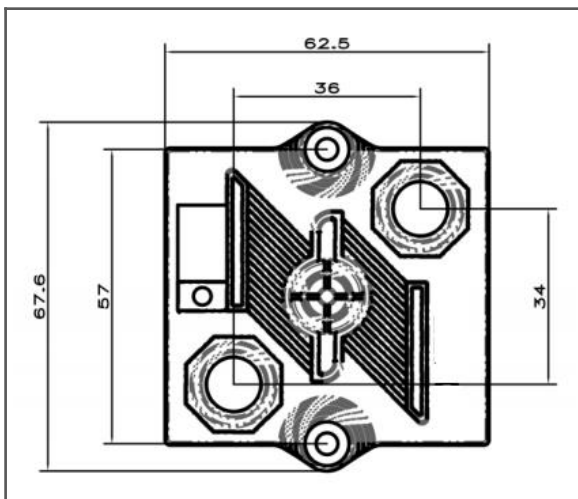
Applications : Variable speed drives, Power supplies, Control devices, Motor Control, Robotics



GENERAL SPECIFICATIONS AND CHARACTERISTICS

	HPR-2000
Resistance range	1Ω - 100kΩ
Resistance tolerance	F [±1%] / J [±5%] / K [±10%]
Rated power Pn	2,000W
Impulse overload	3,000W @10seconds
Dielectric strength	> 5kV
Temperature coefficient of resistance	0±100ppm/°C
Working temperature range	-55°C - +170°C
Inductance	80nH
Capacity	110pF
Thermal resistance	0.12°C/W
Internal temperature sensor (optional)	PT100/1,000, AD22105, (other on request)

DEMENSIONS [mm]



ODERING PROCEDURE EXAMPLE

Model#	Resistance	Tolerance	Internal temperature sensor
HPR-2K	1Ω-100kΩ xRx < 10Ω < xxR < 1kΩ < xKx < 10kΩ xxK	K= ±10%(standard) J= ±5% F= ±1%	Without(standard) PTA-PT100 PTB-PT1000 AD-AD22105